

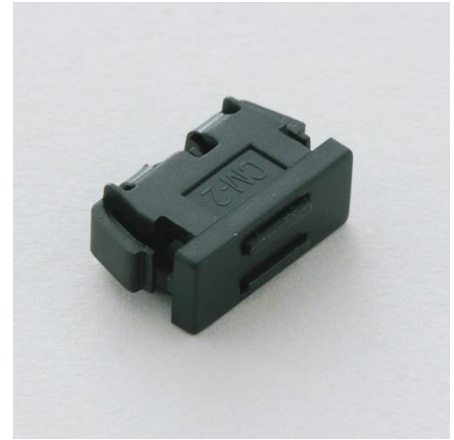
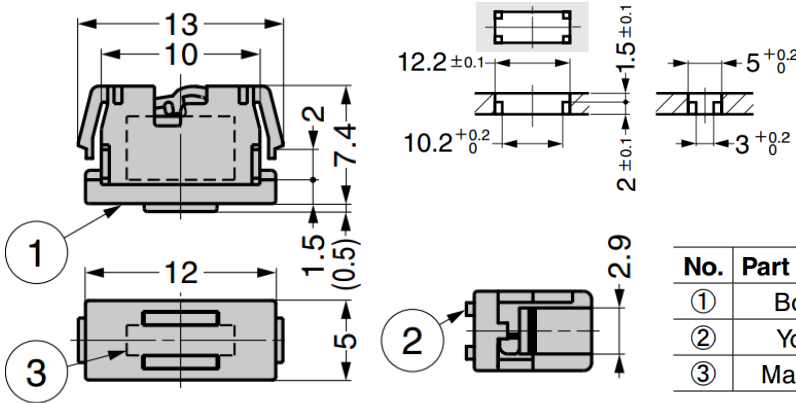
GCM-2B Snap In Magnetic Catch

Features

- Small body allows easy installation around the door
- Flame retardant resin (UL94V-2)

Notes

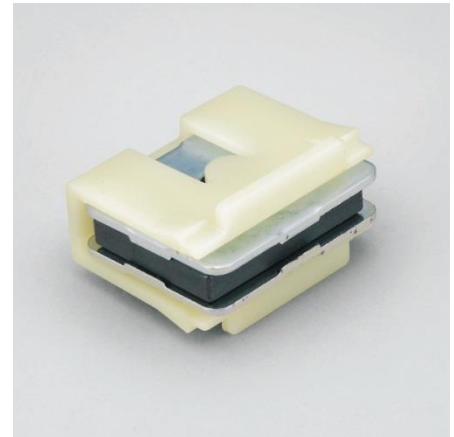
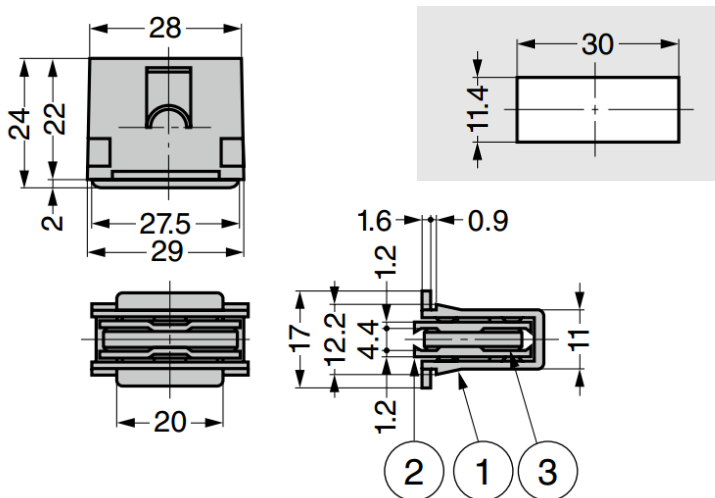
- Operating temperature: -10°C – 60 °C



No.	Part Name	Material	Finish / Colour
①	Body	PA	Black
②	Yoke	Steel (SPCC)	Black Chromate (Trivalent)
③	Magnet	Ferrite	–

Part No.	Magnetic Force	
GCM-2B	3.9 N	0.4 kg

GMC-SS30 Snap In Magnetic Catch



No.	Part Name	Material	Finish / Colour
①	Body	ABS	Ivory
②	Yoke	Steel (SPCC)	Coloured Zinc Chromate (Trivalent)
③	Magnet	Ferrite	–

Part No.	Door Thickness	Magnetic Force	
GMC-SS30	0.8	29.4 N	3 kg